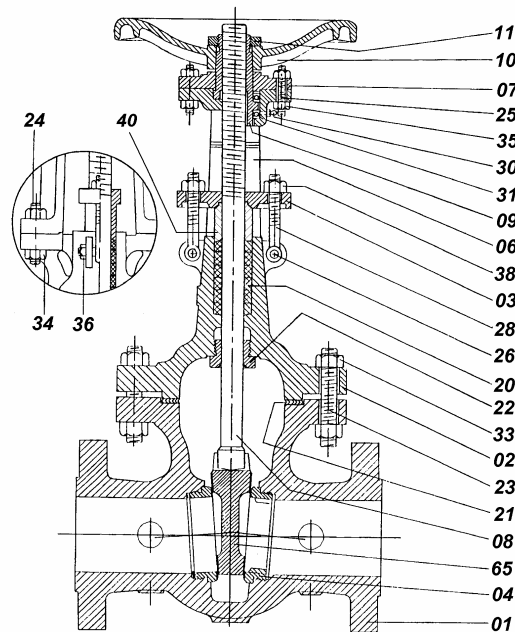
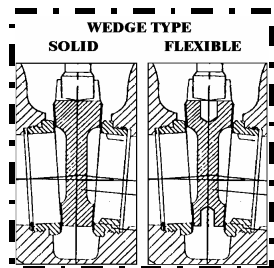




Válvula ESCLUSA. GATE valve. API 600 std. ASTM A216 Gr. WCB. Trim API 600 # 1.



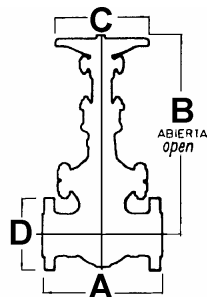
It.	Descripción	Material	It.	Description
01	Cuerpo	ASTM A 216 Gr.WCB	01	Body
02	Bonete	ASTM A 216 Gr.WCB	02	Bonnet
03	Brida Prensaestopa	ASTM A 216 Gr.WCB	03	Flanged gland
04	Asiento	ASTM A 216 Gr.WCB + 13%Cr.	04	Seat ring
06	Yugo	ASTM A 216 Gr.WCB	06	Yoke
07	Tapa del buje	ASTM A 216 Gr.WCB	07	Bushing bonnet
08	Vástago	ASTM A182 F6 (13% Cr.)	08	Stem
09	Buje	ASTM B62	09	Bushing
10	Volante	ASTM A 216 Gr.WCB	10	Handwheel
11	Tuerca del buje	Carbon Steel	11	Bushing nut
20	Empaquetadura	Graphite	20	Packing
21	Junta	Graphite/Stainless Steel	21	Gasket
22	Tuerca de contracierre	ASTM A182 F6 (13% Cr.)	22	Back-Seat nut
23	Espárrago cuerpo-bonete	ASTM A 193 Gr.B7	23	Bonnet-body stub
24	Espárrago bonete-yugo	ASTM A 193 Gr.B7	24	Bonnet-yoke stub
25	Espárrago tapa buje	ASTM A 193 Gr.B7	25	Bushing bonnet stub
26	Bulón pasador	Carbon Steel	26	Bolt for Eyebolt
28	Bulón cabeza ojal	Carbon Steel	28	Eyebolt
30	Lubricador	Commercial Quality	30	Lubricator
31	Rodamiento	Commercial Quality	31	Bearing
33	Tuerca cuerpo-bonete	ASTM A 194 Gr.2H	33	Bonnet-Body nut
34	Tuerca bonete-yugo	ASTM A 194 Gr.2H	34	Bonnet-yoke nut
35	Tuerca tapa buje	ASTM A 194 Gr.2F	35	Bushing bonnet nut
36	Tuerca bulón pasador	Carbon Steel	36	Eyebolt nut
38	Tuerca bulón cabeza ojal	Carbon Steel	38	Eyebolt nut
40	Buje Prensaestopa	ASTM A182 F6 (13 Cr.)	40	Gland Bushing
65	Cuña	ASTM A 216 Gr.WCB+13 % Cr.	65	Wedge



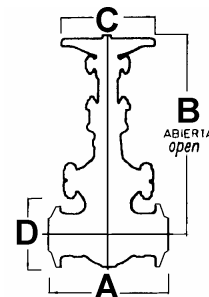
Válvula ESCLUSA. GATE valve. API 600 std. ASTM A216 Gr.WCB. Trim API 600 # 1

Válvula ESCLUSA, tipo cuña sólida (o flexible), acero carbono, fundido, ASTM A216 Gr.WCB, extremos bridados. Bonete abulonado, vástago ascendente, rosca exterior y yugo. Asiento renovable. Reempaquetable bajo presión. Montaje API 600 # 1,

GATE valve, solid (or flexible) wedge, cast carbon steel, ASTM A216 Gr.WCB, flanged ends. Bolted bonnet, rising stem, external screw & yoke. Renewable seat ring. Packing replaceable under pressure. Trim API 600 # 1.



RF



BW

CLASS 150 - SERIE 150

ANSI serie 150 (cuña sólida, extremos RF). Class 150 (solid wedge, RF ends)							
Nominal size		RF	BW	Open	Diameter	Diameter	Weight RF
Medida Nominal		A	A	Abierta	Diámetro	Diámetro	Peso
Inch	mm	A	A	B	C	D	kg.
1 ½"	40	165,1	165,1	370,0	152,0	127,0	18,5
2"	50	177,8	215,9	452,0	178,0	152,4	18,5
2 ½"	65	190,0	241,3	502,0	178,0	177,8	28,0
3"	80	203,2	282,6	505,0	204,0	190,5	35,0
4"	100	228,6	304,8	635,0	254,0	228,6	50,0
5"	125	254,0	381,0	784,0	305,0	254,0	76,0
6"	150	266,7	403,2	820,0	305,0	279,4	77,0
8"	200	292,1	419,1	1055,0	356,0	342,9	122,0
10"	250	330,2	457,2	1275,0	407,0	406,4	183,0
12"	300	355,6	501,6	1480,0	457,0	482,6	305,0
14"	350	381,0	571,5	1613,0	508,0	533,4	420,0
16"	400	406,4	609,6	1800,0	558,0	596,9	555,0
18"	450	431,8	660,4	2013,0	610,0	635,0	720,0
20"	500	457,2	711,2	2210,0	660,0	698,5	867,0
24"	600	508,0	812,8	2616,0	762,0	812,8	1200,0

NOTAS: NOTES:

Medida nominal hasta 12" inclusive, el bonete y el yugo son integrales.

Nominal size up to 12" inclusive, bonnet and yoke are integral.

Medida nominal hasta 12" inclusive, la tapa buje no es abulonada.

Nominal size up to 12" inclusive, bushing bonnet is not bolted.

Medida nominal a partir de 18", son provistas con cojinete.

Nominal size 18" and up are provided with bearing.



Válvula ESCLUSA. GATE valve. API 600 std. ASTM A216 Gr. WCB. Trim API 600 # 1.

CLASS 300 - SERIE 300

ANSI serie 300 (cuña sólida, extremos RF). Class 300 (solid wedge, RF ends)							
Nominal size		RF	BW	Open Abierta	Diameter Diámetro C	Diameter Diámetro D	Weight RF Peso
Medida Nominal							
Inch	mm	A	A	B	C	D	kg.
1 ½"	40	190.5	190.5	455.0	204.0	155.4	23.5
2"	50	215.9	215.9	465.0	204.0	165.1	30.0
2 ½"	65	241.3	241.3	510.0	230.0	190.5	44.0
3"	80	282.6	282.5	570.0	305.0	209.5	55.0
4"	100	304.8	304.8	690.0	305.0	254.0	73.0
5"	125	381.0	381.0	810.0	407.0	279.4	123.0
6"	150	403.2	403.2	890.0	407.0	317.5	126.0
8"	200	419.1	419.1	1120.0	457.0	381.0	241.0
10"	250	457.2	457.2	1320.0	457.0	444.5	341.0
12"	300	501.6	501.6	1580.0	508.0	520.7	545.0
14"	350	762.0	762.0	1685.0	558.0	584.2	725.0
16"	400	838.2	838.2	1930.0	610.0	647.7	1085.0
18"	450	914.4	914.4	2080.0	660.0	711.2	1370.0
20"	500	990.6	990.6	2300.0	711.0	774.7	1650.0
24"	600	1143.0	1143.0	2730.0	864.0	914.4	2400.0

NOTAS: NOTES:
 Medida nominal hasta 10" inclusive, el bonete y el yugo son integrales.
 Nominal size up to 10" inclusive, bonnet and yoke are integral.
 Medida nominal hasta 10" inclusive, la tapa buje no es abulonada.
 Nominal size up to 10" inclusive, bushing bonnet is not bolted.
 Medida nominal a partir de 16", son provistas con cojinete.
 Nominal size 16" and up are provided with bearing.

CLASS 600 - SERIE 600

ANSI serie 600 (cuña sólida, extremos RF). Class 600 (solid wedge, RF ends)							
Nominal size		RF	BW	Open Abierta	Diameter Diámetro C	Diameter Diámetro D	Weight RF Peso
Medida Nominal							
Inch	mm	A	A	B	C	D	kg.
1 ½"	40	241.3	241.3	450.0	204.0	155.4	31.0
2"	50	292.1	292.1	520.0	204.0	165.1	42.0
2 ½"	65	330.2	330.2	560.0	254.0	190.5	66.0
3"	80	355.6	355.6	580.0	254.0	209.5	67.0
4"	100	431.8	431.8	710.0	305.0	273.0	123.0
5"	125	508.0	508.0	970.0	407.0	330.2	253.0
6"	150	558.8	558.8	980.0	457.0	355.6	264.0
8"	200	660.4	660.4	1250.0	508.0	419.1	440.0
10"	250	787.4	787.4	1490.0	610.0	508.0	760.0
12"	300	838.2	838.2	1720.0	660.0	558.8	1000.0
14"	350	889.0	889.0	1860.0	762.0	603.2	1302.0
16"	400	990.6	990.6	2050.0	864.0	685.8	1700.0
18"	450	1092.2	1092.2	2255.0	864.0	742.9	2113.0
20"	500	1193.8	1193.8	2450.0	965.0	812.8	2600.0
24"	600	1397.0	1397.0	2830.0	965.0	939.8	3500.0

NOTAS: NOTES:
 Medida nominal hasta 4" inclusive, el bonete y el yugo son integrales.
 Nominal size up to 4" inclusive, bonnet and yoke are integral.
 Medida nominal hasta 2" inclusive, la tapa buje no es abulonada.
 Nominal size up to 2" inclusive, bushing bonnet is not bolted.
 Medida nominal a partir de 5", son provistas con cojinete.
 Nominal size 5" and up are provided with bearing.



Válvula ESCLUSA. GATE valve. API 600 std. ASTM A216 Gr. WCB. Trim API 600 # 1

CLASS 900 - SERIE 900

ANSI serie 900 (cuña sólida, extremos RF). Class 900 (solid wedge, RF ends)							
Nominal size		RF	BW	Open	Diameter	Diameter	Weight RF
Medida Nominal				Abierta	Diámetro	Diámetro	Peso
Inch	mm	A	A	B	C	D	kg.
3"	80	381.0	381.0	762.0	407.0	241.3	140.0
4"	100	457.2	457.2	965.0	457.0	292.1	225.0
5"	125	558.8	558.8	1057.0	508.0	349.2	350.0
6"	150	609.6	609.6	1118.0	558.0	381.0	421.0
8"	200	736.6	736.6	1320.0	610.0	469.9	740.0
10"	250	838.2	838.2	1679.0	762.0	546.1	1130.0
12"	300	965.2	965.2	1840.0	762.0	609.6	1700.0
14"	350	1028.7	1028.7	2020.0	864.0	641.3	2400.0
16"	400	1130.3	1130.3	2167.0	864.0	704.8	3300.0
18"	450	1219.2	1219.2	2500.0	965.0	787.4	4300.0
20"	500	1320.8	1320.8	2750.0	965.0	857.2	5400.0
24"	600	1549.4	1549.4	3250.0	965.0	1041.4	8100.0

NOTAS; NOTES:

Medida nominal hasta 2 1/2" inclusive, se utilizan dimensiones de la serie 1500.

Nominal size up to 2 1/2", class 1500 dimensions are used.

Medida nominal hasta 3" inclusive, el bonete y la torre son integrales.

Nominal size up to 3" inclusive, bonnet and yoke are integral.

Medida nominal a partir de 3", serán provistas con cojinete.

Nominal size 3" and up are provided with bearing.

CLASS 1500 - SERIE 1500

ANSI serie 1500 (cuña sólida, extremos RF). Class 1500 (solid wedge, RF ends)							
Nominal size		RF	BW	Open	Diameter	Diameter	Weight RF
Medida Nominal				Abierta	Diámetro	Diámetro	Peso
Inch	mm	A	A	B	C	D	kg.
1 1/2"	40	304.8	304.8	510.0	204.0	177.8	46.0
2"	50	368.3	368.3	620.0	254.0	215.9	91.0
2 1/2"	65	419.1	419.1	750.0	406.0	244.3	145.0
3"	80	469.9	469.9	775.0	406.0	266.7	204.0
4"	100	546.1	546.1	980.0	508.0	311.1	339.0
5"	125	673.1	673.1	998.0	508.0	374.6	581.0
6"	150	704.8	704.8	1200.0	762.0	393.7	684.0
8"	200	831.8	831.8	1430.0	762.0	482.6	1150.0
10"	250	990.6	990.6	1650.0	864.0	584.0	2179.0
12"	300	1130.3	1130.3	1900.0	965.0	673.1	3178.0
14"	350	1257.3	1257.3	2050.0	965.0	749.3	3850.0
16"	400	1384.3	1384.3	2230.0	965.0	825.5	4450.0

NOTAS; NOTES:

Medida nominal hasta 3" inclusive, el bonete y la torre son integrales

Nominal size up to 3", bonnet and yoke are integral.

Medida nominal hasta 1 1/2" inclusive, la tapa buje no es abulonada.

Nominal size up to 1 1/2" inclusive, bushing bonnet is not bolted.

Medida nominal a partir de 2", serán provistas con cojinete.

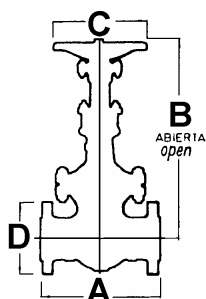
Nominal size 2" and up are provided with bearing.



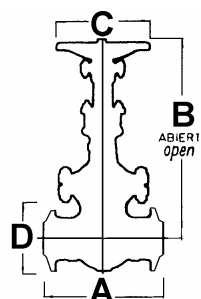
Válvula ESCLUSA. GATE valve. API 600 std. ASTM A216 Gr.WCB. Trim API 600 # 1

Válvula ESCLUSA, tipo cuña sólida (o flexible), acero carbono, fundido, ASTM A216 Gr.WCB, extremos bridados. Bonete abulonado, vástago ascendente, rosca exterior y yugo. Asiento renovable. Reempaquetable bajo presión. Montaje API 600 # 1,

GATE valve, solid (or flexible) wedge, cast carbon steel, ASTM A216 Gr.WCB, flanged ends. Bolted bonnet, rising stem, external screw & yoke. Renewable seat ring. Packing replaceable under pressure. Trim API 600 # 1.



RF



BW

CLASS 2500 - SERIE 2500

ANSI serie 2500 (cuña sólida, extremos RF). Class 2500 (solid wedge, RF ends)							
Nominal size		RF	BW	Open	Diameter	Diameter	Weight RF
Medida Nominal				Abierta	Diámetro	Diámetro	Peso
Inch	mm	A	A	B	C	D	kg.
1"	25	307.8	307.8	567.0	158.7	304.8	
1 ½"	40	384.0	384.0		203.2		
2"	50	450.8	450.8	610.0	305.0	234.9	145.0
2 ½"	65	508.0	508.0	660.0	407.0	266.7	227.0
3"	80	577.8	577.8	762.0	507.0	304.8	297.0
4"	100	673.1	673.1	838.2	507.0	355.6	454.0
6"	150	914.4	914.4	1220.0	610.0	482.6	908.0
8"	200	1022.3	1022.3	1346.0	864.0	552.4	1423.0
10"	250	1270.0	1270.0	1524.0	965.0	673.1	2315.1
12"	300	1422.4	1422.4	1778.0	965.0	762.0	3268.0

NOTAS:
 Medida nominal a partir de 2", son provistas con cojinete.
 Nominal size 2" and up are provided with bearing.